

## QUICK REFERENCE GUIDE



EM100



EM100A



EM100B



EM101A



EM101A-3



EM103



EM105



EM106



EM108



EM112A



EM120



EM125



EM125-2

## GENERAL INFORMATION

Project Name: \_\_\_\_\_

## STANDARD SPECIFICATIONS

- 1" Round Brushed Stainless Steel #4 Posts
- 3/8" Clear Tempered Front Glass Panels (max. span 66")
- 1/4" Clear Tempered Glass End Panels

## NSF-LISTED FINISH OPTIONS

- Brushed Stainless Steel #4 (Standard)
- Stainless Steel #8 (Chrome)
- Powder Coat Color: RAL # \_\_\_\_\_

## GLASS FINISHES

- Clear (Standard)
- Low-Iron
- Frosted
- Frosted Logo/Imprint
- Pattern

## GLASS PANEL OPTIONS

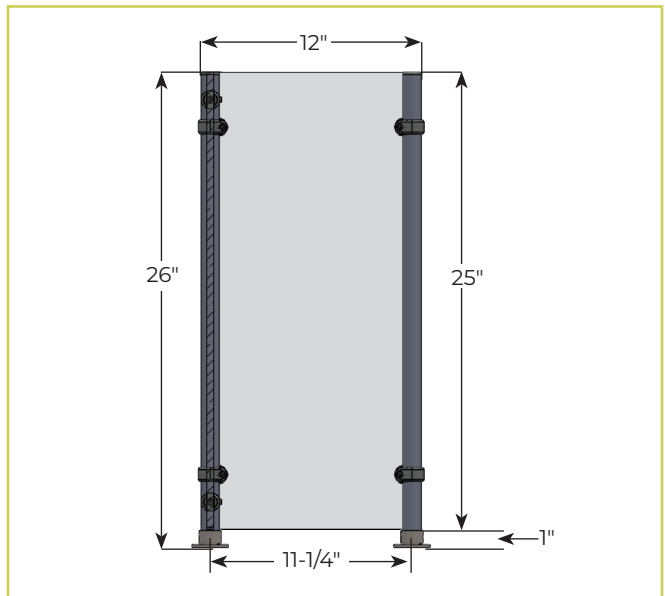
- 1/4" Glass (max. span 54")
- 3/8" Glass (max. span 66") (Standard)
- 1/2" Glass (max. span 72")

## MOUNTING OPTIONS

BSI offers a variety of above counter and under counter mount installation solutions based on countertop material. See Mounting Options page for more details.

## EM100

### Full Service Vertical Guard



To meet NSF guidelines, end panels are included on all BSI quotations unless specifically excluded. (See end panel page for more details).

## LIGHT AND WARMER OPTIONS

Light and warmer units are not connected to the food shield and require additional posts.

Model #	Description
<input type="checkbox"/> 705E	Helios® Light & Warmer Unit
<input type="checkbox"/> 2580E	Helios® Light Unit

## GENERAL INFORMATION

Project Name: \_\_\_\_\_

## STANDARD SPECIFICATIONS

- 1" Round Brushed Stainless Steel #4 Posts
- 3/8" Clear Tempered Front Glass Panels (max. span 66")
- 1/4" Clear Tempered Glass End Panels

## OPTIONS AND ACCESSORIES

### NSF-LISTED FINISH OPTIONS

- Brushed Stainless Steel #4 (Standard)
- Stainless Steel #8 (Chrome)
- Powder Coat Color: RAL # \_\_\_\_\_

### GLASS FINISHES

- Clear (Standard)
- Low-Iron
- Frosted
- Frosted Logo/Imprint
- Pattern

### GLASS PANEL OPTIONS

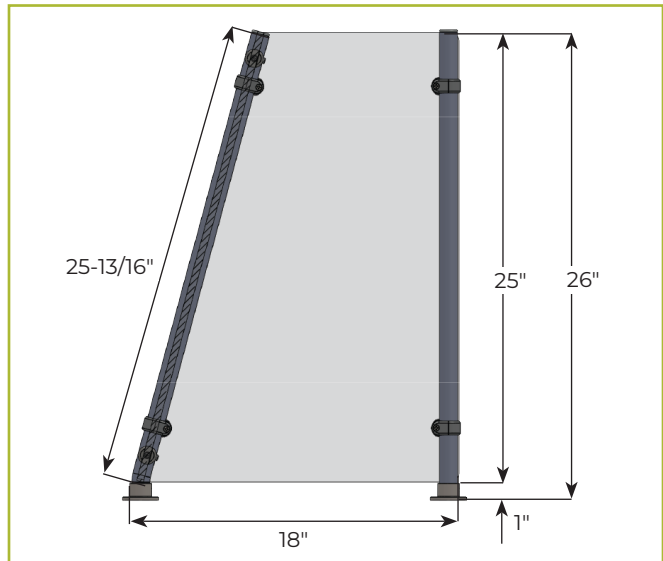
- 1/4" Glass (max. span 54")
- 3/8" Glass (max. span 66") (Standard)
- 1/2" Glass (max. span 72")

### MOUNTING OPTIONS

BSI offers a variety of above counter and under counter mount installation solutions based on countertop material. See Mounting Options page for more details.

## EM100A

*Full Service, Angled Posts*



To meet NSF guidelines, end panels are included on all BSI quotations unless specifically excluded. (See end panel page for more details).

## LIGHT AND WARMER OPTIONS

Light and warmer units are not connected to the food shield and require additional posts.

Model #	Description
<input type="checkbox"/> 705E	Helios® Light & Warmer Unit
<input type="checkbox"/> 2580E	Helios® Light Unit

## GENERAL INFORMATION

Project Name: \_\_\_\_\_

## STANDARD SPECIFICATIONS

- 1" Round Brushed Stainless Steel #4 Posts
- 3/8" Clear Tempered Front Glass Panels (max. span 66")
- 1/4" Clear Tempered Glass End Panels

## OPTIONS AND ACCESSORIES

### NSF-LISTED FINISH OPTIONS

- Brushed Stainless Steel #4 (Standard)
- Stainless Steel #8 (Chrome)
- Powder Coat Color: RAL # \_\_\_\_\_

### GLASS FINISHES

- Clear (Standard)
- Low-Iron
- Frosted
- Frosted Logo/Imprint
- Pattern

### GLASS PANEL OPTIONS

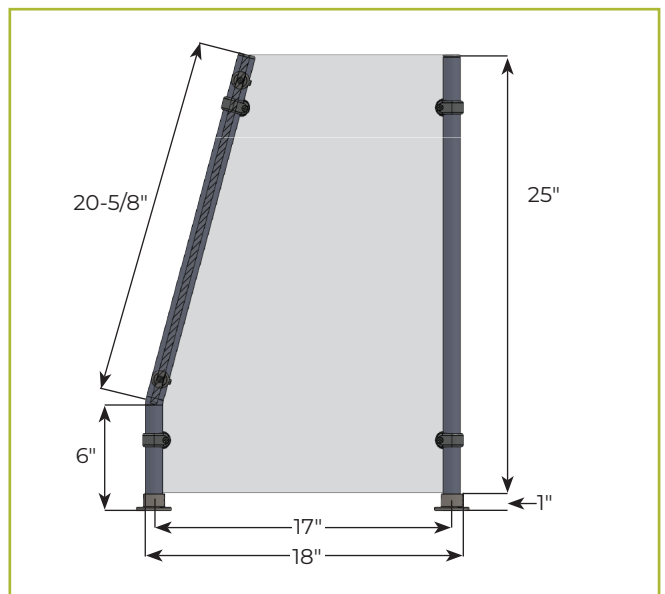
- 1/4" Glass (max. span 54")
- 3/8" Glass (max. span 66") (Standard)
- 1/2" Glass (max. span 72")

### MOUNTING OPTIONS

BSI offers a variety of above counter and under counter mount installation solutions based on countertop material. See Mounting Options page for more details.

## EM100B

*Full Service, Pass Under w/Angled Posts*



To meet NSF guidelines, end panels are included on all BSI quotations unless specifically excluded. (See end panel page for more details).

### LIGHT AND WARMER OPTIONS

Light and warmer units are not connected to the food shield and require additional posts.

Model #	Description
<input type="checkbox"/> 705E	Helios® Light & Warmer Unit
<input type="checkbox"/> 2580E	Helios® Light Unit

## GENERAL INFORMATION

Project Name: \_\_\_\_\_

## STANDARD SPECIFICATIONS

- 1" Round Brushed Stainless Steel #4 Posts
- 3/8" Clear Tempered Front Glass Panels (max. span 66")
- 1/4" Clear Tempered Glass End Panels

## OPTIONS AND ACCESSORIES

### NSF-LISTED FINISH OPTIONS

- Brushed Stainless Steel #4 (Standard)
- Stainless Steel #8 (Chrome)
- Powder Coat Color: RAL # \_\_\_\_\_

### GLASS FINISHES

- Clear (Standard)
- Low-Iron
- Frosted
- Frosted Logo/Imprint
- Pattern

### GLASS PANEL OPTIONS

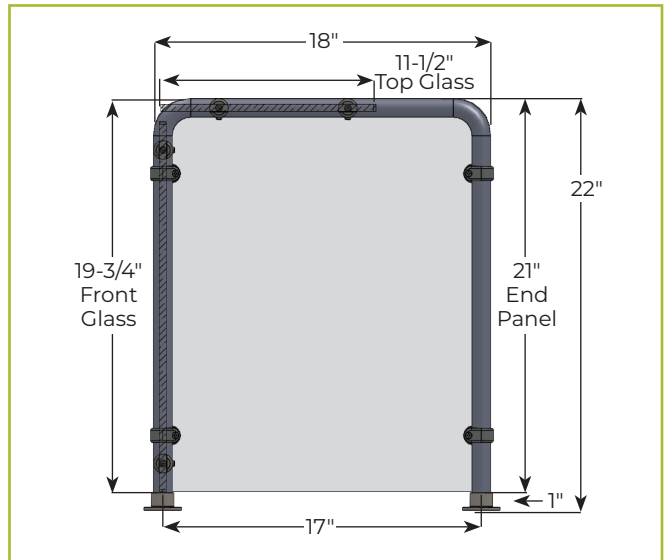
- 1/4" Glass (max. span 54")
- 3/8" Glass (max. span 66") (Standard)
- 1/2" Glass (max. span 72")

### MOUNTING OPTIONS

BSI offers a variety of above counter and under counter mount installation solutions based on countertop material. See Mounting Options page for more details.

## EM101A

Full Service w/Top Shelf, U-Shaped Posts



To meet NSF guidelines, end panels are included on all BSI quotations unless specifically excluded. (See end panel page for more details).

## LIGHT AND WARMER OPTIONS

Model #	Description
<input type="checkbox"/> 705E	Helios® Light & Warmer Unit
<input type="checkbox"/> 2580E	Helios® Light Unit

## GENERAL INFORMATION

Project Name: \_\_\_\_\_

## STANDARD SPECIFICATIONS

- 1" Round Brushed Stainless Steel #4 Posts
- 3/8" Clear Tempered Front Glass Panels (max. span 66")
- 1/4" Clear Tempered Glass End Panels

## OPTIONS AND ACCESSORIES

### NSF-LISTED FINISH OPTIONS

- Brushed Stainless Steel #4 (Standard)
- Stainless Steel #8 (Chrome)
- Powder Coat Color: RAL # \_\_\_\_\_

### GLASS FINISHES

- Clear (Standard)
- Low-Iron
- Frosted
- Frosted Logo/Imprint
- Pattern

### GLASS PANEL OPTIONS

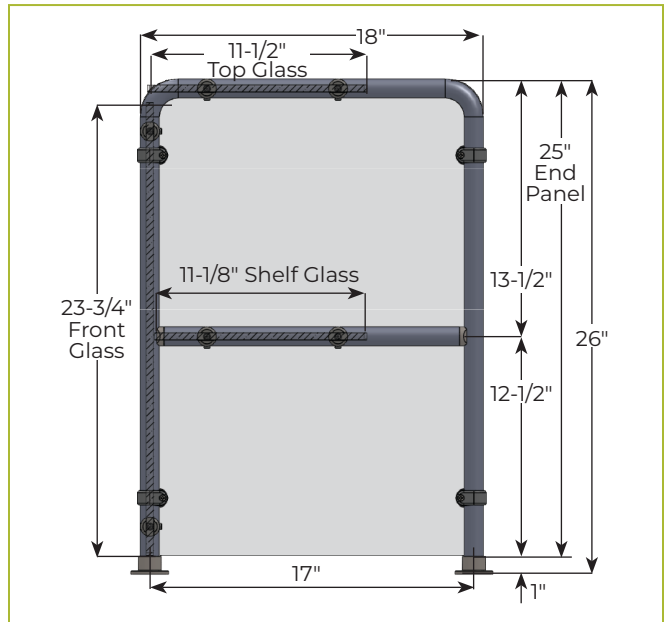
- 1/4" Glass (max. span 54")
- 3/8" Glass (max. span 66") (Standard)
- 1/2" Glass (max. span 72")

### MOUNTING OPTIONS

BSI offers a variety of above counter and under counter mount installation solutions based on countertop material. See Mounting Options page for more details.

## EM101A-3

*Two Tier, Full Service w/ Top Shelves, U-Shaped Posts*



To meet NSF guidelines, end panels are included on all BSI quotations unless specifically excluded. (See end panel page for more details).

## LIGHT AND WARMER OPTIONS

Model #	Description
<input type="checkbox"/> 705E	Helios® Light & Warmer Unit
<input type="checkbox"/> 2580E	Helios® Light Unit

## GENERAL INFORMATION

Project Name: \_\_\_\_\_

## STANDARD SPECIFICATIONS

- 1" Round Brushed Stainless Steel #4 Posts
- 3/8" Clear Tempered Front Glass Panels (max. span 66")
- 1/4" Clear Tempered Glass End Panels

## OPTIONS AND ACCESSORIES

### NSF-LISTED FINISH OPTIONS

- Brushed Stainless Steel #4 (Standard)
- Stainless Steel #8 (Chrome)
- Powder Coat Color: RAL # \_\_\_\_\_

### GLASS FINISHES

- Clear (Standard)
- Low-Iron
- Frosted
- Frosted Logo/Imprint
- Pattern

### GLASS PANEL OPTIONS

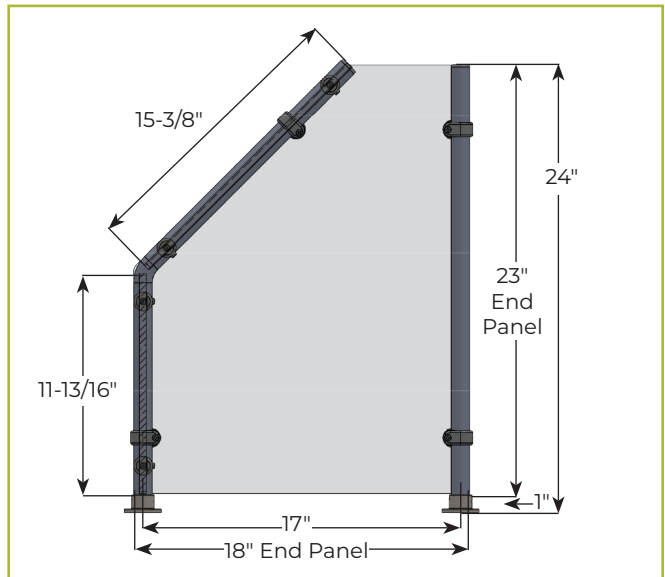
- 1/4" Glass (max. span 54")
- 3/8" Glass (max. span 66") (Standard)
- 1/2" Glass (max. span 72")

### MOUNTING OPTIONS

BSI offers a variety of above counter and under counter mount installation solutions based on countertop material. See Mounting Options page for more details.

## EM103

*Full Service, Straight/Angled Posts*



To meet NSF guidelines, end panels are included on all BSI quotations unless specifically excluded. (See end panel page for more details).

### LIGHT AND WARMER OPTIONS

Light and warmer units are not connected to the food shield and require additional posts.

Model #	Description
<input type="checkbox"/> 705E	Helios® Light & Warmer Unit
<input type="checkbox"/> 2580E	Helios® Light Unit

## GENERAL INFORMATION

Project Name: \_\_\_\_\_

## STANDARD SPECIFICATIONS

- 1" Round Brushed Stainless Steel #4 Posts
- 3/8" Clear Tempered Front Glass Panels (max. span 66")
- 1/4" Clear Tempered Glass End Panels

## OPTIONS AND ACCESSORIES

### NSF-LISTED FINISH OPTIONS

- Brushed Stainless Steel #4 (Standard)
- Stainless Steel #8 (Chrome)
- Powder Coat Color: RAL # \_\_\_\_\_

### GLASS FINISHES

- Clear (Standard)
- Low-Iron
- Frosted
- Frosted Logo/Imprint
- Pattern

### GLASS PANEL OPTIONS

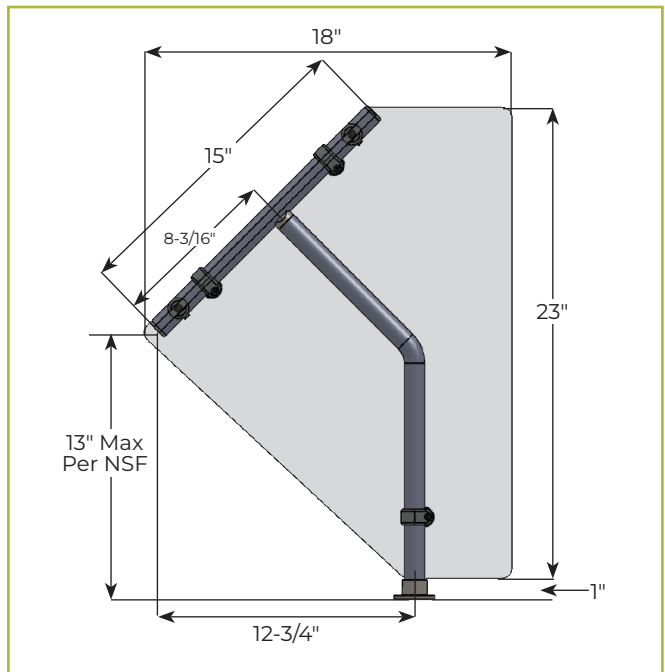
- 1/4" Glass (max. span 54")
- 3/8" Glass (max. span 66") (Standard)
- 1/2" Glass (max. span 72")

### MOUNTING OPTIONS

BSI offers a variety of above counter and under counter mount installation solutions based on countertop material. See Mounting Options page for more details.

## EM105

### Self Service, Single Angled Posts



To meet NSF guidelines, end panels are included on all BSI quotations unless specifically excluded. (See end panel page for more details).

### LIGHT AND WARMER OPTIONS

Light and warmer units are not connected to the food shield and require additional posts.

- | Model #                        | Description                 |
|--------------------------------|-----------------------------|
| <input type="checkbox"/> 705E  | Helios® Light & Warmer Unit |
| <input type="checkbox"/> 2580E | Helios® Light Unit          |



## GENERAL INFORMATION

Project Name: \_\_\_\_\_

## STANDARD SPECIFICATIONS

- 1" Round Brushed Stainless Steel #4 Posts
- 3/8" Clear Tempered Front Glass Panels (max. span 66")
- 1/4" Clear Tempered Glass End Panels

## OPTIONS AND ACCESSORIES

### NSF-LISTED FINISH OPTIONS

- Brushed Stainless Steel #4 (Standard)
- Stainless Steel #8 (Chrome)
- Powder Coat Color: RAL # \_\_\_\_\_

### GLASS FINISHES

- Clear (Standard)
- Low-Iron
- Frosted
- Frosted Logo/Imprint
- Pattern

### GLASS PANEL OPTIONS

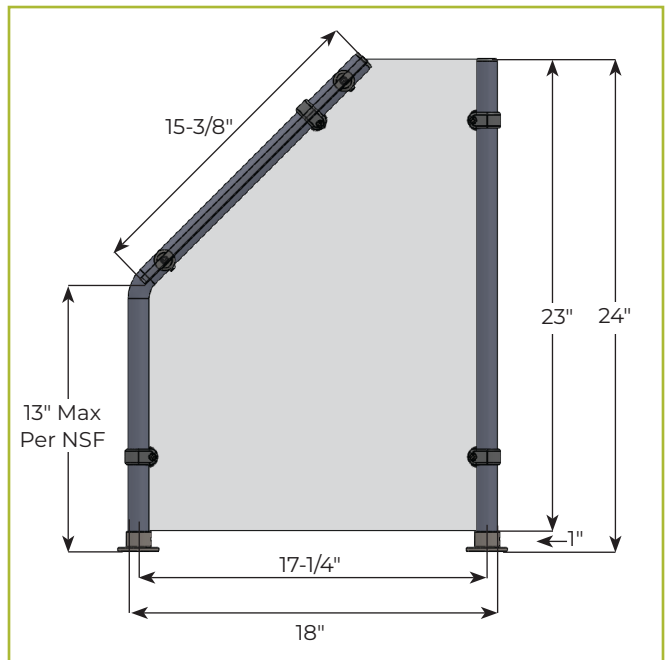
- 1/4" Glass (max. span 54")
- 3/8" Glass (max. span 66") (Standard)
- 1/2" Glass (max. span 72")

### MOUNTING OPTIONS

BSI offers a variety of above counter and under counter mount installation solutions based on countertop material. See Mounting Options page for more details.

## EM106

*Self Service, Straight/Angled Posts*



To meet NSF guidelines, end panels are included on all BSI quotations unless specifically excluded. (See end panel page for more details).

### LIGHT AND WARMER OPTIONS

Light and warmer units are not connected to the food shield and require additional posts.

Model #	Description
<input type="checkbox"/> 705E	Helios® Light & Warmer Unit
<input type="checkbox"/> 2580E	Helios® Light Unit

## GENERAL INFORMATION

Project Name: \_\_\_\_\_

## STANDARD SPECIFICATIONS

- 1" Round Brushed Stainless Steel #4 Posts
- 3/8" Clear Tempered Front Glass Panels (max. span 66")
- 1/4" Clear Tempered Glass End Panels

## OPTIONS AND ACCESSORIES

### NSF-LISTED FINISH OPTIONS

- Brushed Stainless Steel #4 (Standard)
- Stainless Steel #8 (Chrome)
- Powder Coat Color: RAL # \_\_\_\_\_

### GLASS FINISHES

- Clear (Standard)
- Low-Iron
- Frosted
- Frosted Logo/Imprint
- Pattern

### GLASS PANEL OPTIONS

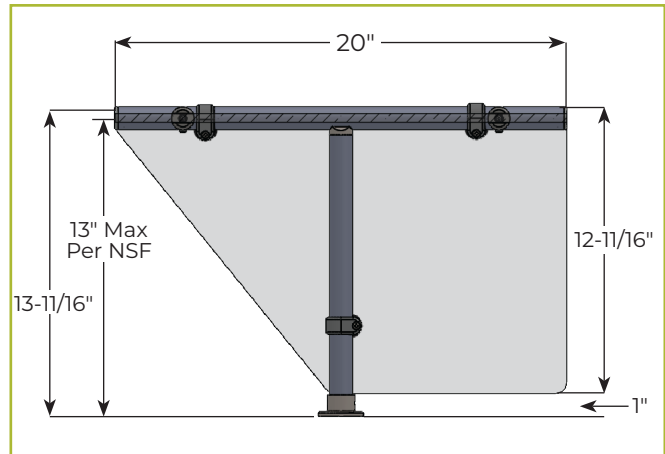
- 1/4" Glass (max. span 54")
- 3/8" Glass (max. span 66") (Standard)
- 1/2" Glass (max. span 72")

### MOUNTING OPTIONS

BSI offers a variety of above counter and under counter mount installation solutions based on countertop material. See Mounting Options page for more details.

## EM108

### Self Service, T-Shaped Single Post



To meet NSF guidelines, end panels are included on all BSI quotations unless specifically excluded. (See end panel page for more details).

### LIGHT AND WARMER OPTIONS

Model #	Description
<input type="checkbox"/> 705E	Helios® Light & Warmer Unit
<input type="checkbox"/> 2580E	Helios® Light Unit

## GENERAL INFORMATION

Project Name: \_\_\_\_\_

## STANDARD SPECIFICATIONS

- 1" Round Brushed Stainless Steel #4 Posts
- 3/8" Clear Tempered Front Glass Panels (max. span 66")
- 1/4" Clear Tempered Glass End Panels

## OPTIONS AND ACCESSORIES

### NSF-LISTED FINISH OPTIONS

- Brushed Stainless Steel #4 (Standard)
- Stainless Steel #8 (Chrome)
- Powder Coat Color: RAL # \_\_\_\_\_

### GLASS FINISHES

- Clear (Standard)
- Low-Iron
- Frosted
- Frosted Logo/Imprint
- Pattern

### GLASS PANEL OPTIONS

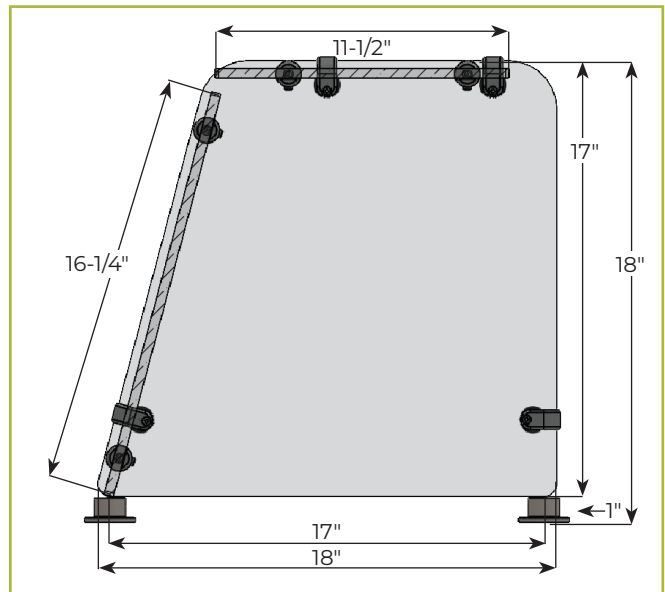
- 1/4" Glass (max. span 54")
- 3/8" Glass (max. span 66") (Standard)
- 1/2" Glass (max. span 72")

### MOUNTING OPTIONS

BSI offers a variety of above counter and under counter mount installation solutions based on countertop material. See Mounting Options page for more details.

## EM112A

*Full Service, Angled U-Shaped Posts*



To meet NSF guidelines, end panels are included on all BSI quotations unless specifically excluded. (See end panel page for more details).

## LIGHT AND WARMER OPTIONS

Model #	Description
<input type="checkbox"/> 705E	Helios® Light & Warmer Unit
<input type="checkbox"/> 2580E	Helios® Light Unit

## GENERAL INFORMATION

Project Name: \_\_\_\_\_

## STANDARD SPECIFICATIONS

- 1" Round Brushed Stainless Steel #4 Posts
- 3/8" Clear Tempered Front Glass Panels (max. span 66")
- 1/4" Clear Tempered Glass End Panels

## OPTIONS AND ACCESSORIES

### NSF-LISTED FINISH OPTIONS

- Brushed Stainless Steel #4 (Standard)
- Stainless Steel #8 (Chrome)
- Powder Coat Color: RAL # \_\_\_\_\_

### GLASS FINISHES

- Clear (Standard)
- Low-Iron
- Frosted
- Frosted Logo/Imprint
- Pattern

### GLASS PANEL OPTIONS

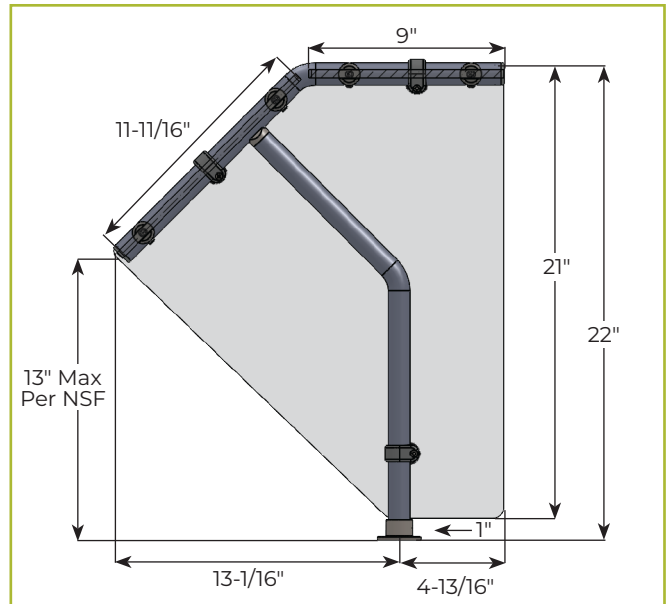
- 1/4" Glass (max. span 54")
- 3/8" Glass (max. span 66") (Standard)
- 1/2" Glass (max. span 72")

### MOUNTING OPTIONS

BSI offers a variety of above counter and under counter mount installation solutions based on countertop material. See Mounting Options page for more details.

## EM120

*Self Service w/Top Shelf, Angled Posts*



To meet NSF guidelines, end panels are included on all BSI quotations unless specifically excluded. (See end panel page for more details).

## LIGHT AND WARMER OPTIONS

Model #	Description
<input type="checkbox"/> 705E	Helios™ Light & Warmer Unit
<input type="checkbox"/> 2580E	Helios™ Light Unit

## GENERAL INFORMATION

Project Name: \_\_\_\_\_

## STANDARD SPECIFICATIONS

- 1" Round Brushed Stainless Steel #4 Posts
- 3/8" Clear Tempered Front Glass Panels (max. span 66")
- 1/4" Clear Tempered Glass End Panels

## OPTIONS AND ACCESSORIES

### NSF-LISTED FINISH OPTIONS

- Brushed Stainless Steel #4 (Standard)
- Stainless Steel #8 (Chrome)
- Powder Coat Color: RAL # \_\_\_\_\_

### GLASS FINISHES

- Clear (Standard)
- Low-Iron
- Frosted
- Frosted Logo/Imprint
- Pattern

### GLASS PANEL OPTIONS

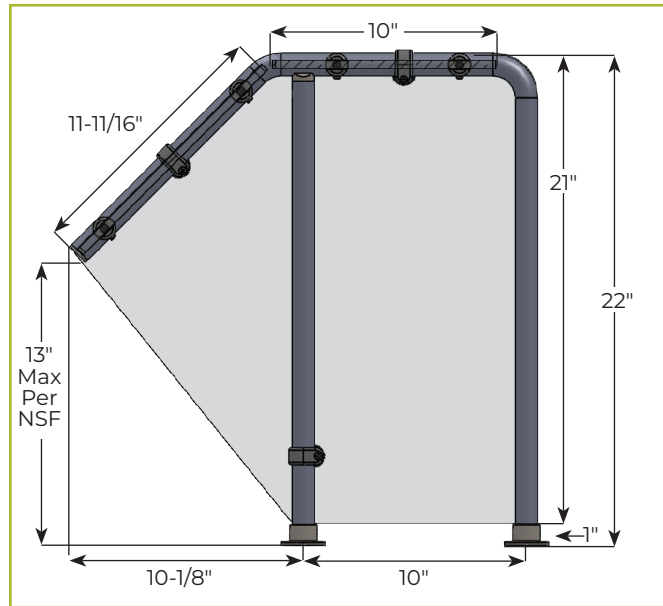
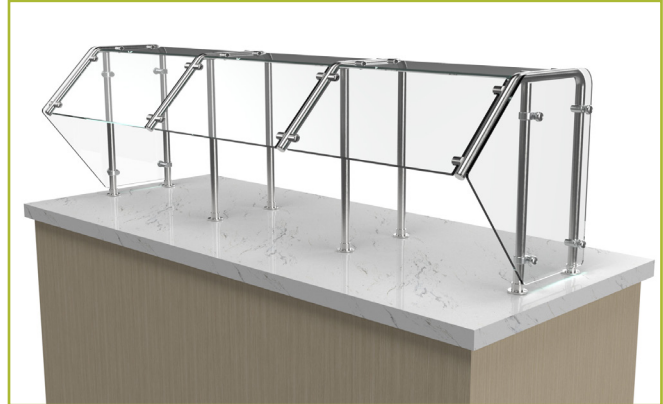
- 1/4" Glass (max. span 54")
- 3/8" Glass (max. span 66") (Standard)
- 1/2" Glass (max. span 72")

### MOUNTING OPTIONS

BSI offers a variety of above counter and under counter mount installation solutions based on countertop material. See Mounting Options page for more details.

## EM125

*Self Service w/Top Shelf,  
U-Shaped Posts w/Angle*



To meet NSF guidelines, end panels are included on all BSI quotations unless specifically excluded. (See end panel page for more details).

## LIGHT AND WARMER OPTIONS

Model #	Description
<input type="checkbox"/> 705E	Helios® Light & Warmer Unit
<input type="checkbox"/> 2580E	Helios® Light Unit

## GENERAL INFORMATION

Project Name: \_\_\_\_\_

## STANDARD SPECIFICATIONS

- 1" Round Brushed Stainless Steel #4 Posts
- 3/8" Clear Tempered Front Glass Panels (max. span 66")
- 1/4" Clear Tempered Glass End Panels

## OPTIONS AND ACCESSORIES

### NSF-LISTED FINISH OPTIONS

- Brushed Stainless Steel #4 (Standard)
- Stainless Steel #8 (Chrome)
- Powder Coat Color: RAL # \_\_\_\_\_

### GLASS FINISHES

- Clear (Standard)
- Low-Iron
- Frosted
- Frosted Logo/Imprint
- Pattern

### GLASS PANEL OPTIONS

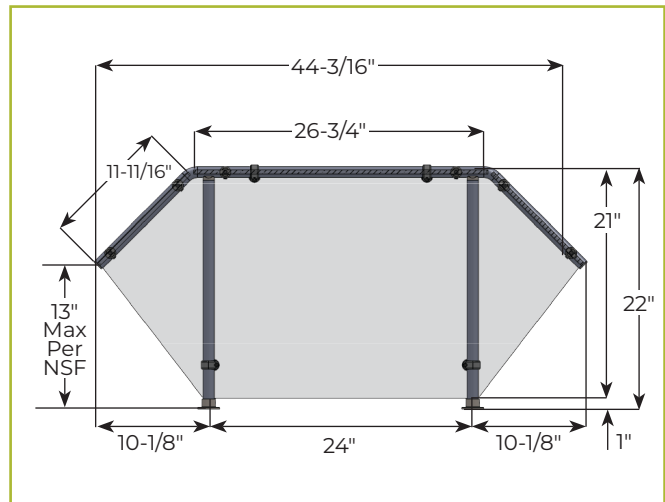
- 1/4" Glass (max. span 54")
- 3/8" Glass (max. span 66") (Standard)
- 1/2" Glass (max. span 72")

### MOUNTING OPTIONS

BSI offers a variety of above counter and under counter mount installation solutions based on countertop material. See Mounting Options page for more details.

## EM125-2

*Self Service w/Top Shelf,  
U-Shaped Posts w/Angle*



To meet NSF guidelines, end panels are included on all BSI quotations unless specifically excluded. (See end panel page for more details).

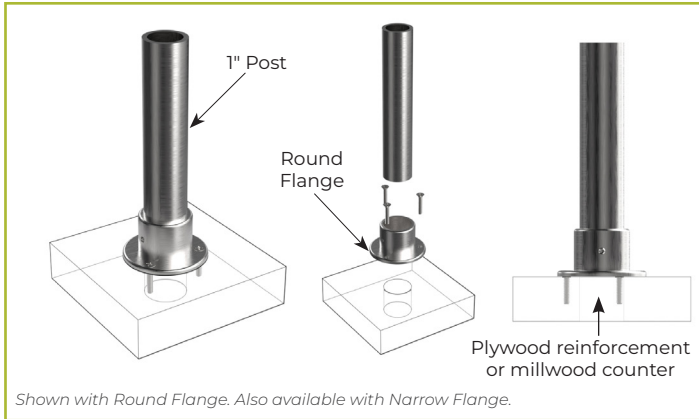
## LIGHT AND WARMER OPTIONS

Model #	Description
<input type="checkbox"/> 705E	Helios® Light & Warmer Unit
<input type="checkbox"/> 2580E	Helios® Light Unit

## Mounting Options for 1" Round Post

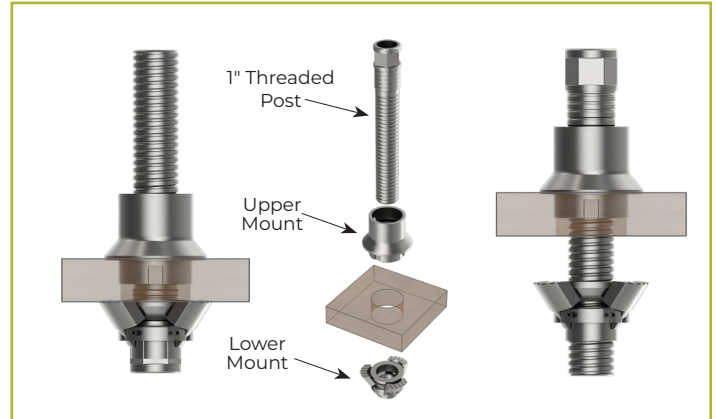
### MILLWORK COUNTERTOP

Above Counter - Millwork Mount

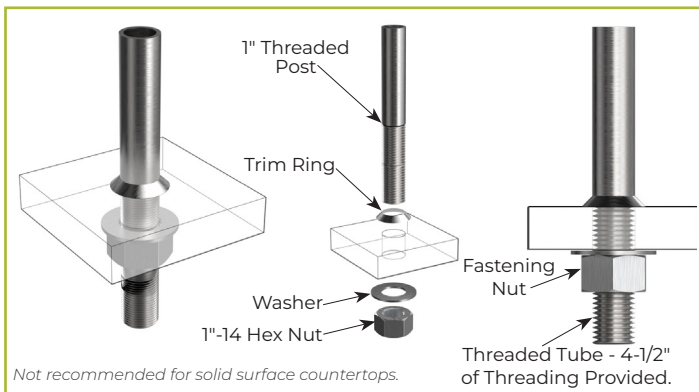


### STAINLESS STEEL COUNTERTOP

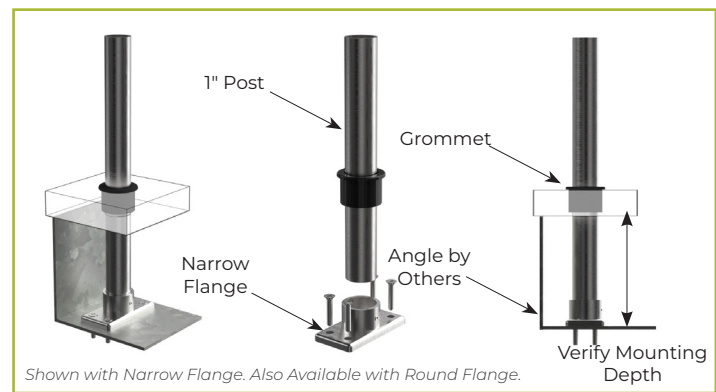
Above Counter - Triton Mount



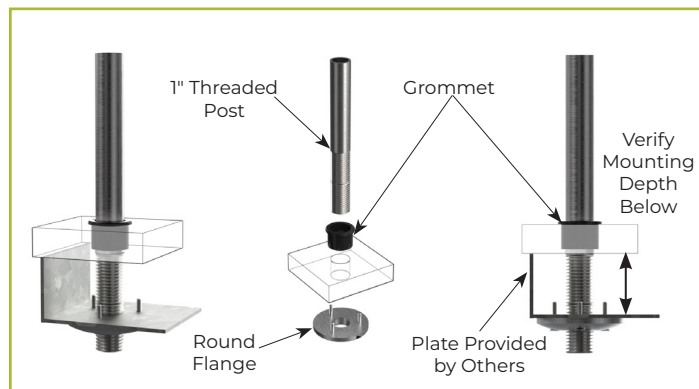
Below Counter - Compression Flange Mount



Below Counter - Upright Flange Mount w/ Plate



Below Counter - Inverted Flange with Plate



Below Counter - Inverted Flange with Plate

